

NATIONAL PARK SERVICES

MONTEZUMA CASTLE NATIONAL MONUMENT

PARKING LOT ADDITION AND REDESIGN

MULTICULTURAL TECHNICAL ENGINEERS

ADDRESS:
3600 S. LAS VEGAS BLVD
LAS VEGAS, NV 89109

TELEPHONE NUMBER:
(702) 982-0000

ENGINEERS:

FAHAD ALKHALDI
FOA2@NAU.EDU

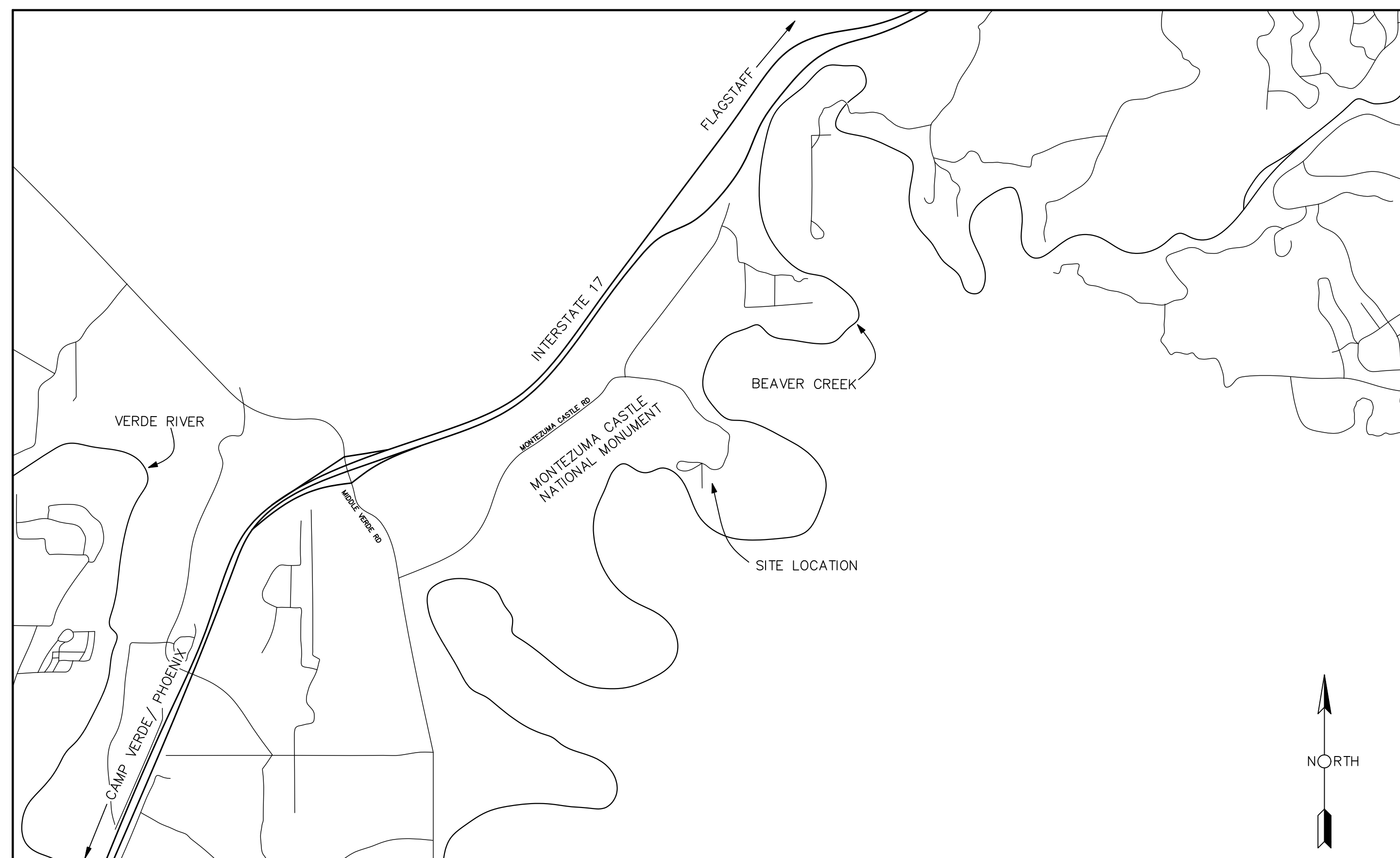
BRIAN HERNANDEZ-NG
BLH275@NAU.EDU

RAE JOHNSON
RNJ26@NAU.EDU

ANDREW MCLAUGHLIN
AJM692@NAU.EDU

JACOB ROBINSON
JJR286@NAU.EDU

CAYLA WASHINGTON
CW795@NAU.EDU



ADDRESS:
MONTEZUMA CASTLE RD
CAMP VERDE, AZ

CLIENT:
RICHARD GOEPFRICH
RICHARD_GOEPFRICH@NPS.GOV
cell: (928) 821-5830

NATIONAL PARK SERVICES

	DRAWING NO. CVR	MONTEZUMA CASTLE ARIZONA	PARKING LOT ADDITION AND REDESIGN	SHT NO. OF 1 7
			COVER	
	JOB NO: 2018001	DATE: Feb-2018	SCALE: N/A	DRAWN: RNJ/JJR
			DESIGN: MTE	CHECKED: MTE
	PRELIMINARY NOT FOR CONSTRUCTION, BIDDING OR RECORDING			
	3600 S. LAS VEGAS BLVD LAS VEGAS, NV 89109			
NO.	DESCRIPTION	DATE	BY	

GENERAL NOTES TO BE ADDED FROM FHA STANDARDS AND OTHERS AS REQUIRED.

NO.	DESCRIPTION	DATE	BY



3600 S. LAS VEGAS BLVD
LAS VEGAS, NV 89109

PRELIMINARY
NOT FOR CONSTRUCTION,
BIDDING OR RECORDING

JOB NO:	2018001
DATE:	Feb-2018
SCALE:	N/A
DRAWN:	RN/JJR
DESIGN:	MTE
CHECKED:	MTE

PARKING LOT ADDITION AND REDESIGN

MONTEZUMA CASTLE
ARIZONA

GENERAL NOTES

DRAWING NO.

GN

SHT NO. OF

2 7

DETAILS TO BE ADDED FROM FHA STANDARDS OR CUSTOM DETAILS PROVIDED AS REQUIRED

NO.	DESCRIPTION	DATE	BY



3600 S. LAS VEGAS BLVD
LAS VEGAS, NV 89109

PRELIMINARY
NOT FOR CONSTRUCTION,
BIDDING OR RECORDING

JOB NO:	2018001
DATE:	Feb-2018
SCALE:	N/A
DRAWN:	RN/JJR
DESIGN:	MTE
CHECKED:	MTE

PARKING LOT ADDITION AND REDESIGN
DETAILS

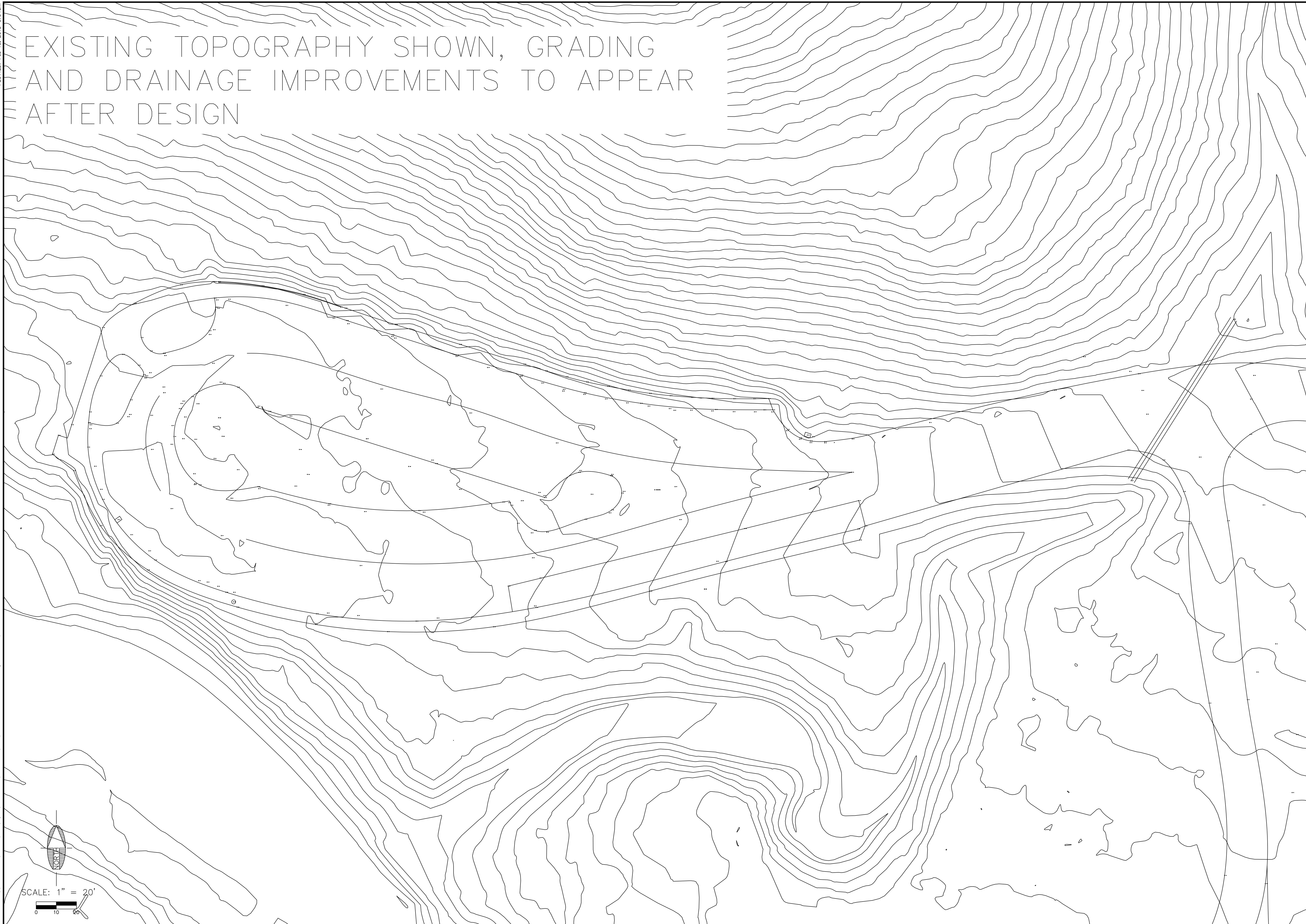
MONTEZUMA CASTLE
ARIZONA

DRAWING NO.	DT
SHT NO. OF	3 OF 7


FILE: \\VEGRSHARES\homes\NAU\m26\Documents\CENE_486\CAD\GRADING AND DRAINAGE.dwg <CC3D_imperial>

PLOTTED: Feb 10, 2018 - 9:54am

EXISTING TOPOGRAPHY SHOWN, GRADING
AND DRAINAGE IMPROVEMENTS TO APPEAR
AFTER DESIGN



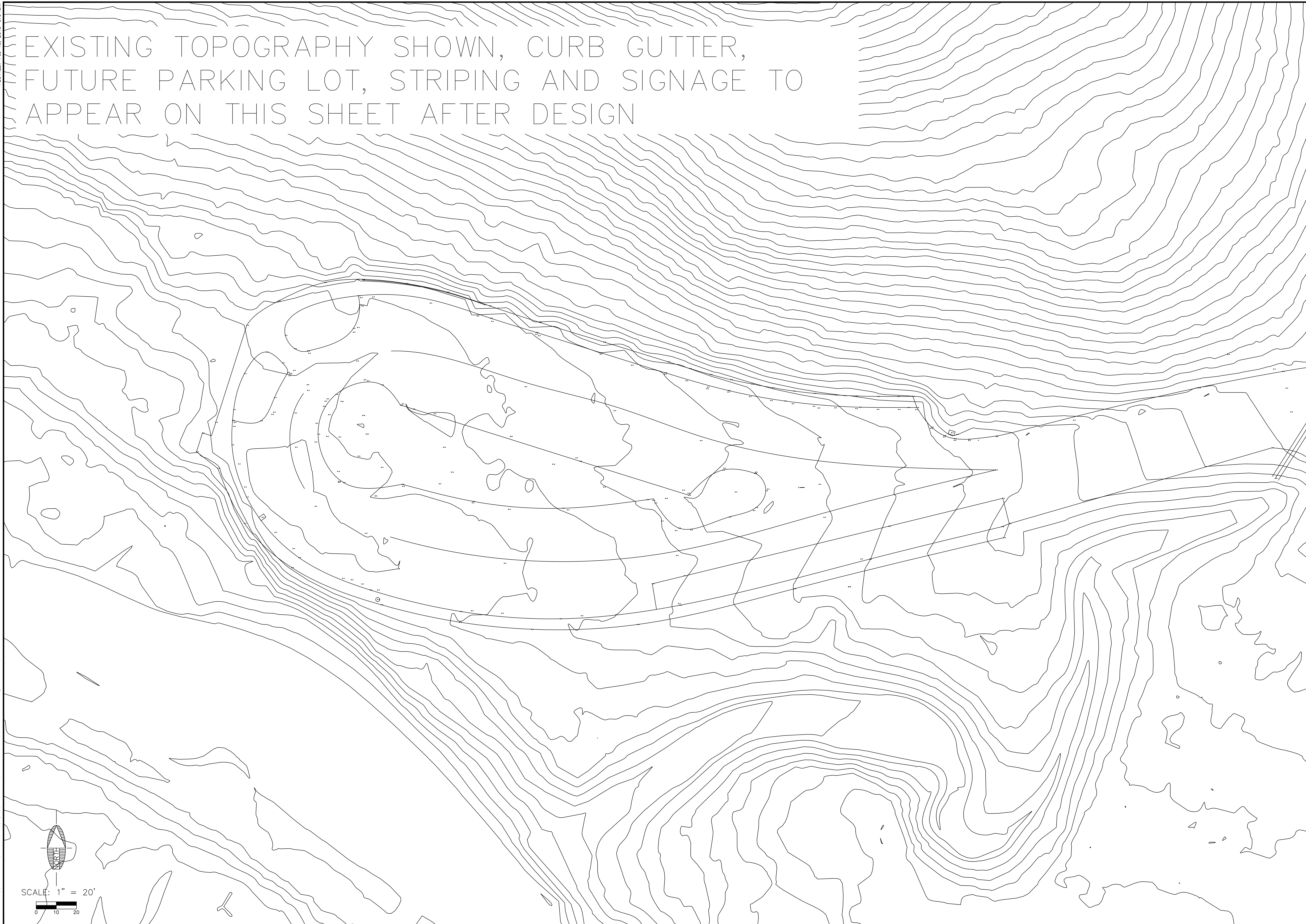
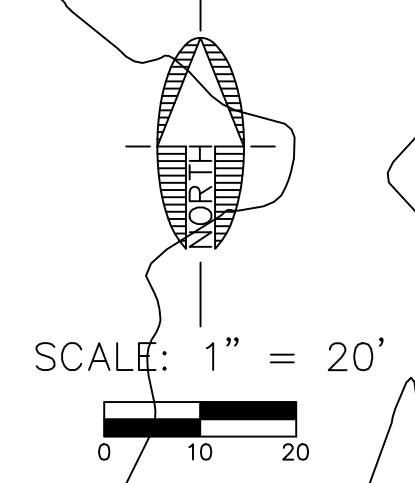
SCALE: 1" = 20'

NO. DESCRIPTION	DATE	BY
<p>3600 S. LAS VEGAS BLVD LAS VEGAS, NV 89109</p> 		
<p>PRELIMINARY NOT FOR CONSTRUCTION, BIDDING OR RECORDING</p>		
JOB NO:	2018001	
DATE:	Feb-2018	
SCALE:	N/A	
DRAWN:	RN/JJR	
DESIGN:	MTE	
CHECKED:	MTE	
<p>MONTEZUMA CASTLE ARIZONA</p>		
<p>PARKING LOT ADDITION AND REDESIGN</p>		
<p>GRADING AND DRAINAGE</p>		
DRAWING NO.	GDI	
SHT. NO.	4	OF 7

FILE: \\VEGRSHARES\homes\NAU\m26\Documents\CENE_486\CAD\IMPROVEMENTS.dwg <<C3D_import.dwg>>

PLOTTED: Feb 10, 2018 - 9:54am

EXISTING TOPOGRAPHY SHOWN, CURB GUTTER,
FUTURE PARKING LOT, STRIPING AND SIGNAGE TO
APPEAR ON THIS SHEET AFTER DESIGN

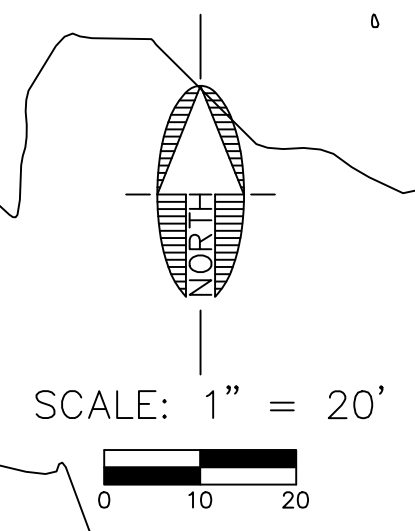
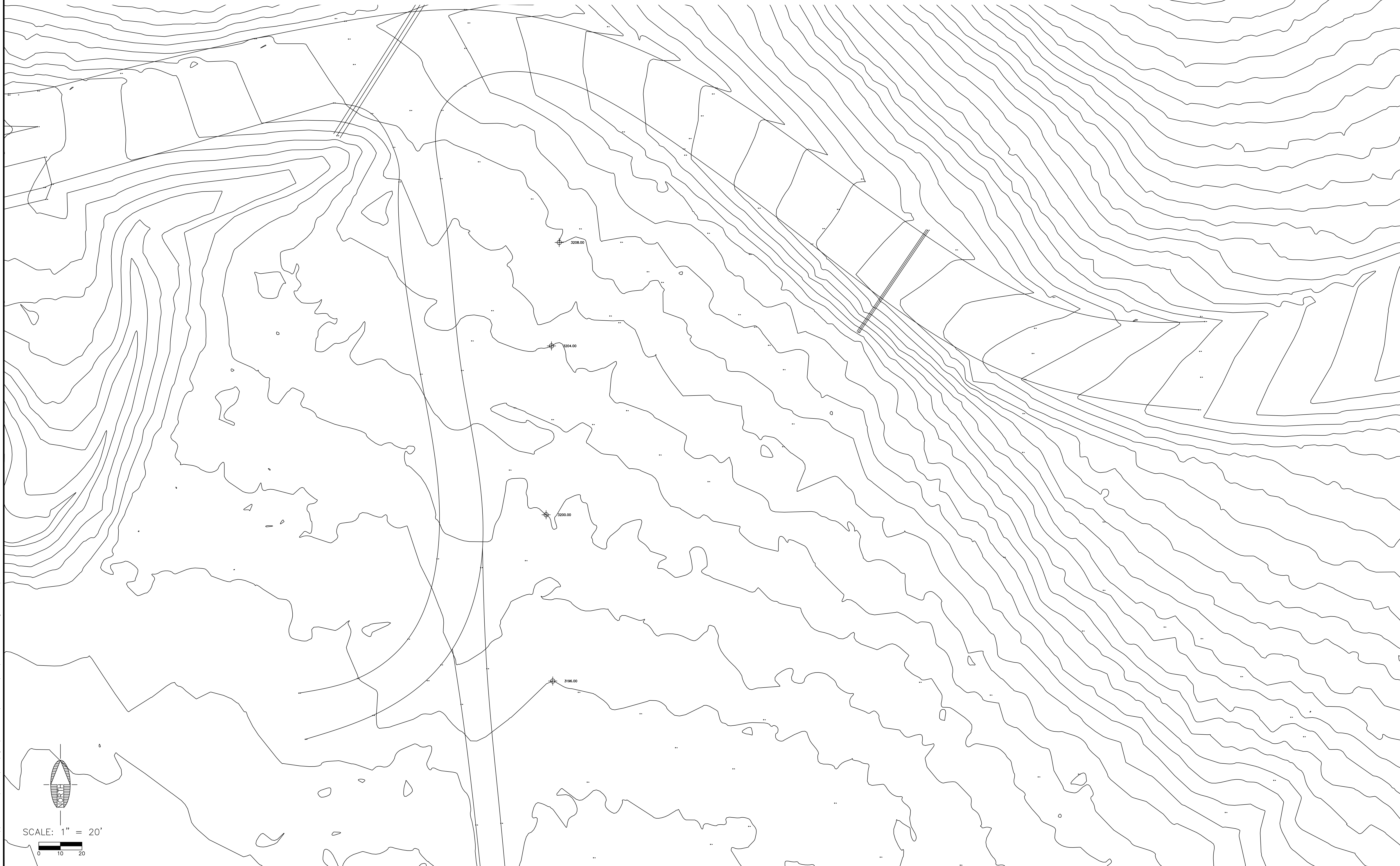


NO. DESCRIPTION	DATE	BY
<p>3600 S. LAS VEGAS BLVD LAS VEGAS, NV 89109</p>		
<p>MTE</p>		
<p>PRELIMINARY NOT FOR CONSTRUCTION, BIDDING OR RECORDING</p>		
JOB NO:	2018001	
DATE:	Feb-2018	
SCALE:	N/A	
DRAWN:	RN/JJR	
DESIGN:	MTE	
CHECKED:	MTE	
<p>PARKING LOT ADDITION AND REDESIGN</p>		
<p>MONTEZUMA CASTLE ARIZONA</p>		
DRAWING NO.	IP1	
SHT. NO. OF	6	7
<p>IMPROVEMENTS</p>		

FILE: \\VEGSHARES\homes\NAU\m26\Documents\CENE_486\CAD\IMPROVEMENTS.dwg <<C3D_import.dwg>>

PLOTTED: Feb 10, 2018 - 9:54am

EXISTING TOPOGRAPHY SHOWN, CURB GUTTER, FUTURE PARKING LOT, STRIPING AND SIGNAGE TO APPEAR ON THIS SHEET AFTER DESIGN

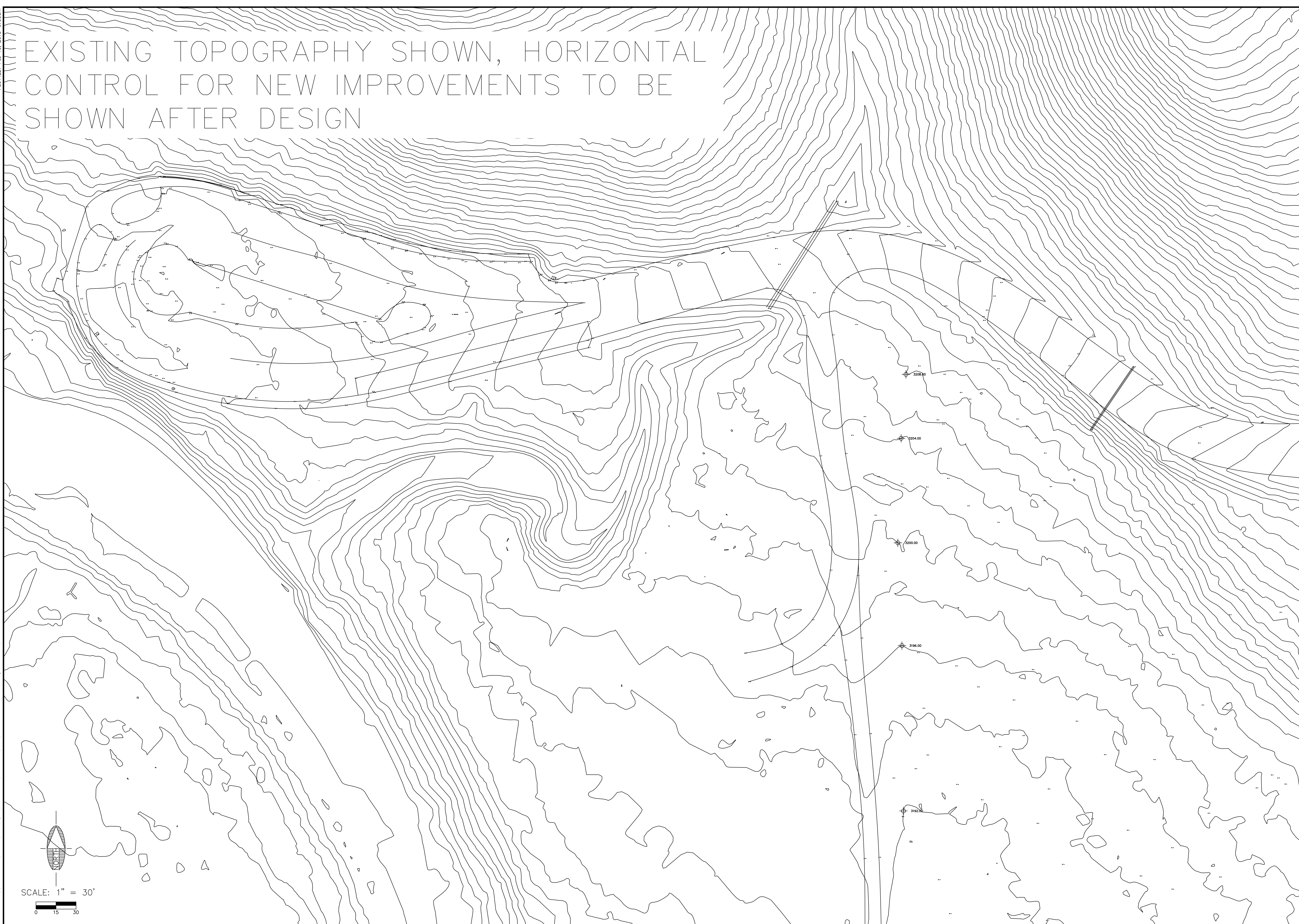


NO.	DESCRIPTION	DATE	BY
PRELIMINARY NOT FOR CONSTRUCTION, BIDDING OR RECORDING		JOB NO.: 2018001	DATE: Feb-2018
3600 S. LAS VEGAS BLVD LAS VEGAS, NV 89109		SCALE: N/A	DRAWN: RNJ/JR
MTE		DESIGN: MTE	CHECKED: MTE
MONTAZUMA CASTLE ARIZONA		PARKING LOT ADDITION AND REDESIGN	
DRAWING NO. IP2		SHEET NO. 7 OF 7	
IMPROVEMENTS			


FILE: \\VEGSHARES\homes\NAU\m26\Documents\CENE_486\CAD\HORIZONTAL CONTROL.dwg <<C3D Imperial>>

PLOTTED: Feb 10, 2018 - 9:56am

EXISTING TOPOGRAPHY SHOWN, HORIZONTAL CONTROL FOR NEW IMPROVEMENTS TO BE SHOWN AFTER DESIGN



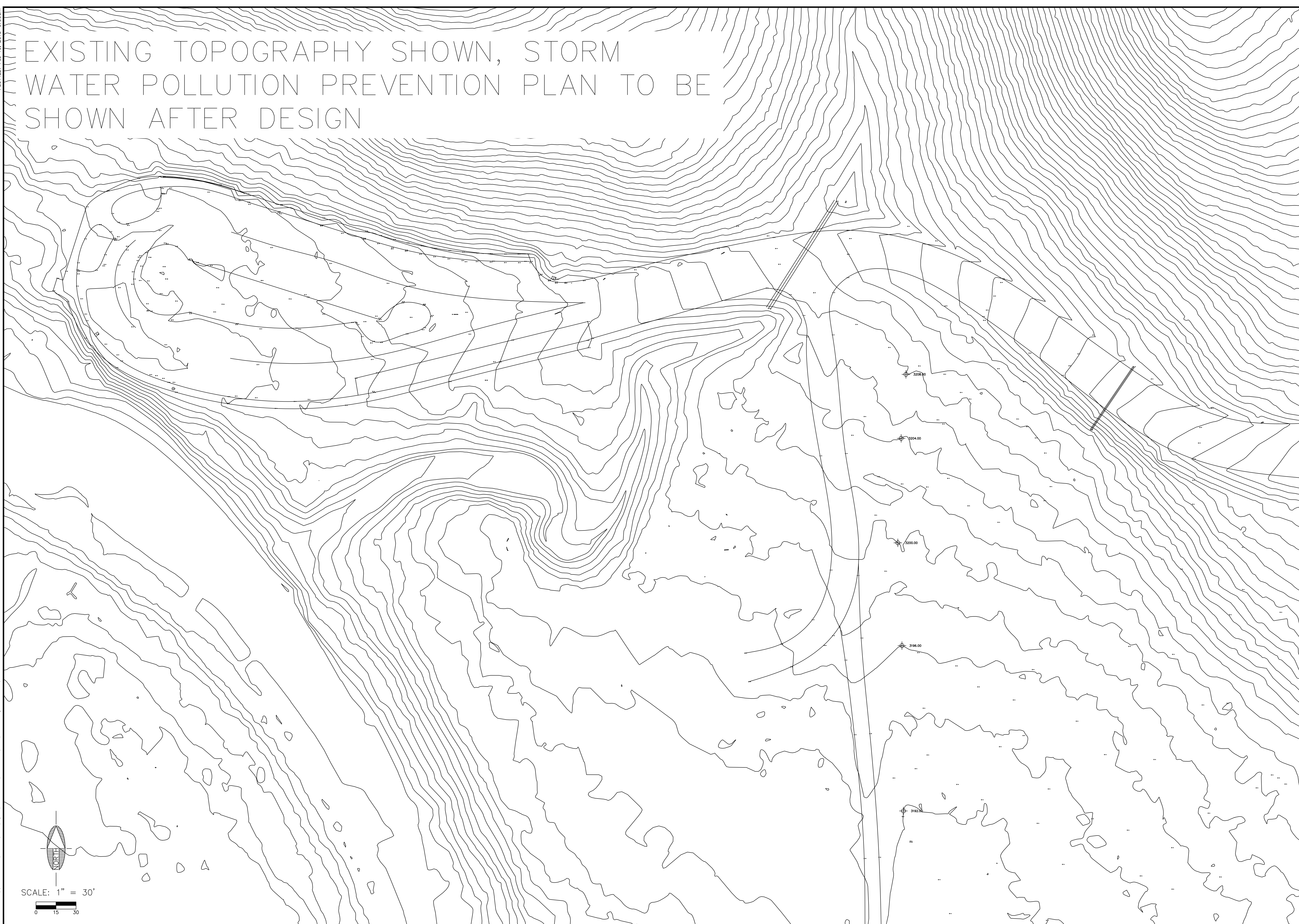
SCALE: 1" = 30'

NO. DESCRIPTION	DATE	BY
<p>3600 S. LAS VEGAS BLVD LAS VEGAS, NV 89109</p> 		
<p>PRELIMINARY NOT FOR CONSTRUCTION, BIDDING OR RECORDING</p>		
JOB NO:	2018001	
DATE:	Feb-2018	
SCALE:	N/A	
DRAWN:	RN/JJR	
DESIGN:	MTE	
CHECKED:	MTE	
<p>MONTEZUMA CASTLE ARIZONA</p>		
<p>PARKING LOT ADDITION AND REDESIGN</p>		
<p>HORIZONTAL CONTROL</p>		
DRAWING NO.	HC	
SHT. NO.	8	OF 7

FILE: \\VEGSHARES\homes\NAU\m26\Documents\CENE 486\CAD\SWPPP.dwg <<C3D Imperial>>

PLOTTED: Feb 10, 2018 - 9:56am

EXISTING TOPOGRAPHY SHOWN, STORM WATER POLLUTION PREVENTION PLAN TO BE SHOWN AFTER DESIGN



SCALE: 1" = 30'

NO. DESCRIPTION	DATE	BY
3600 S. LAS VEGAS BLVD LAS VEGAS, NV 89109		
PRELIMINARY NOT FOR CONSTRUCTION, BIDDING OR RECORDING		
JOB NO:	2018001	
DATE:	Feb-2018	
SCALE:	N/A	
DRAWN:	RN/JJR	
DESIGN:	MTE	
CHECKED:	MTE	
SWPPP		
PARKING LOT ADDITION AND REDESIGN		
MONTEZUMA CASTLE ARIZONA		
DRAWING NO.	SWP	
SHT. NO. OF	9 OF 7	